



Manual  
Adhesive  
Applicator  
Set Up

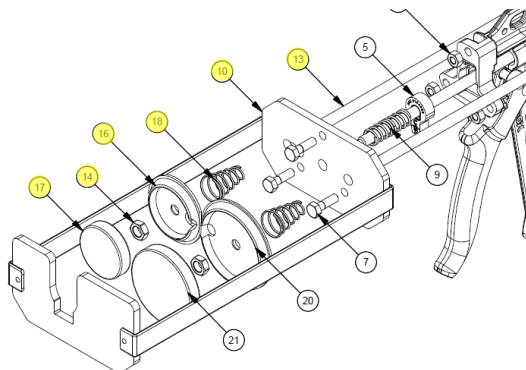
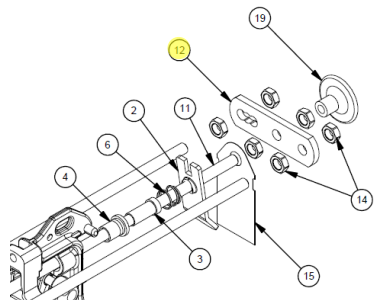
# Conversion Instructions for K215-044 Manual Dispensing Gun

This manual applicator can be used for either Spabond 340LV (900ml) or Spabond 440 (800ml) cartridges if the applicator has been built in the correct configuration. This document details the set up for each cartridge size.

The positioning of the hardener plunger bar within the frame and the size of the plunger are crucial to prevent cartridge damage and potential leaks.

The gun schematic / break down drawing show the exploded view. The key elements that need to be adjusted are:-

- Part 10 Mid frame bulkhead
- Part 12 Back spacer bar
- Part 13 Hardener push rod
- Part 14 Hardener plunger lock nut
- Part 16 Hardener cartridge support
- Part 17 Hardener plunger
- Part 18 Hardener cartridge spring



# Spabond 340LV (900ml cartridge) Format



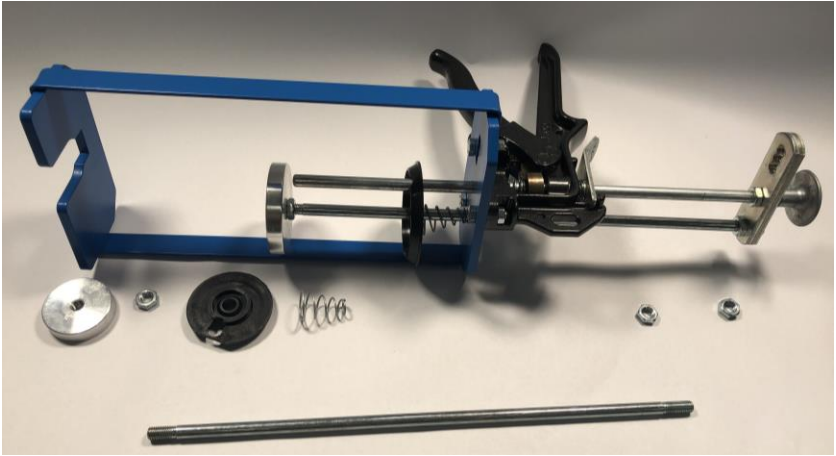
Figure 1

To set this gun for Spabond 340LV the push rods must be set as far apart as possible. In part 10 and 12 to the hardener side of the gun there are three overlapping holes that the push rod (Part 13) goes through. For the 340LV adhesive the push rod needs to be fitted to the outer holes. If the rod is not already there the push rod (Part 13) needs to have its hardener plunger lock nut (Part 14) loosened and the hardener plunger (Part 17) then removed along with the nut. Both parts 16 and 18 will now pull off.



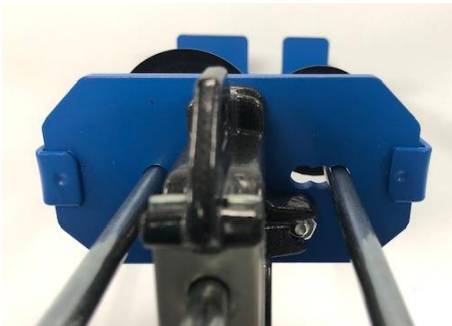
Figure 2

Now undo the nuts to the other end of the push rod to either side of the Back spacer bar (Part 12), once removed extract the push rod



*Figure 3*

To refit the push rod reinsert it through the widest of the three overlapping holes. Refit the nuts to either side of the back spacer bar and fully tighten.



*Figure 4*



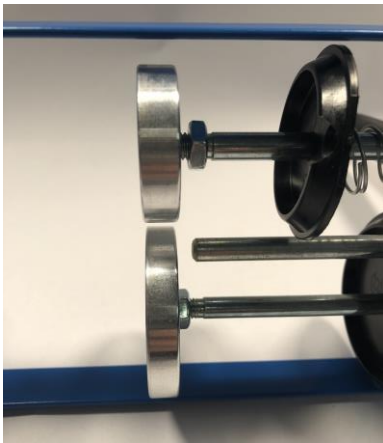
*Figure 5*

With the push rod in place replace the Hardener cartridge spring (Part 18) then Hardener cartridge support (Part 16) fit the Hardener plunger lock nut and wind to the end of the thread.



*Figure 6*

Now refit the Hardener plunger and screw on to align with the resin plunger. Once aligned lock the nut against the back of the plunger.



*Figure 7*



*Figure 8*

Your gun should now be ready to use for Spabond 340LV 900ml cartridges. For cartridge fitting guide see end of these instructions.

# Spabond 440 (800ml cartridge) Format



Figure 9

To set this gun for 440 the push rods must be set to the middle width setting. In parts 10 and 12 to the hardener side there are three overlapping holes that the push rod (Part 13) goes through. For the 440 adhesive the push rod needs to be fitted to the middle of the three holes. If the rod is not already there the push rod (Part 13) needs to be removed and refitted in the correct slot. The Hardener push rod (Part 13) needs have its hardener plunger lock nut (Part 14) loosened and the Hardener plunger (Part 17) then removed along with the nut. Both parts 16 and 18 will now pull off.



Figure 10

Now undo the nuts to the other end of the push rod to either side of the Back spacer bar (Part 12), once removed extract the push rod

The policy of Gurit is one of continual development and improvement. Gurit reserves the right to alter specifications and prices without prior notice. Any information or advice obtained from Gurit by other means and whether relating to Gurit material or other materials, is given in good faith. However, it remains the responsibility of the customer to ensure that Gurit materials are suitable for the particular purpose intended.

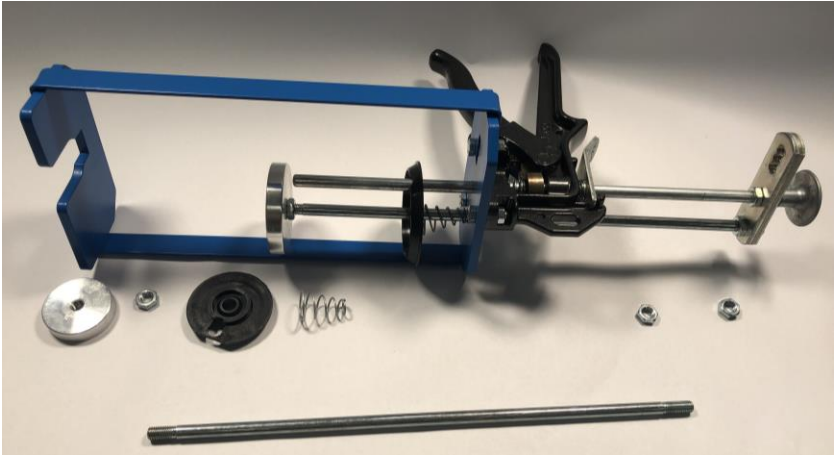


Figure 11

To refit the push rod reinsert it through the middle of the three overlapping holes. Refit the nuts to either side of the back spacer bar and fully tighten.

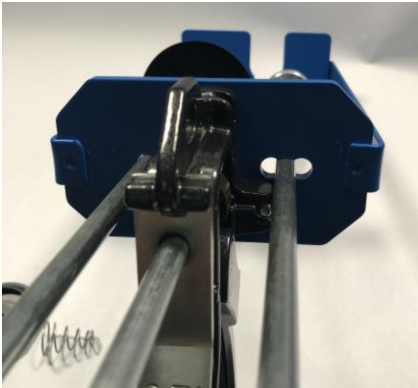


Figure 12



Figure 13

With the push rod in place DO NOT replace the Hardener cartridge spring (Part 18) or Hardener cartridge support (Part 16), as they don't fit within the cartridge to support it. Just fit the Hardener plunger lock nut and wind to the end of the thread.

Due to the mix ratio difference the hardener side of the cartridge is smaller diameter than the 900ml therefore the replacement plunger, Gurit part No. K235-002, must be fitted in place of the original one or reduce the existing one to 30mm diameter.



*Figure 14*

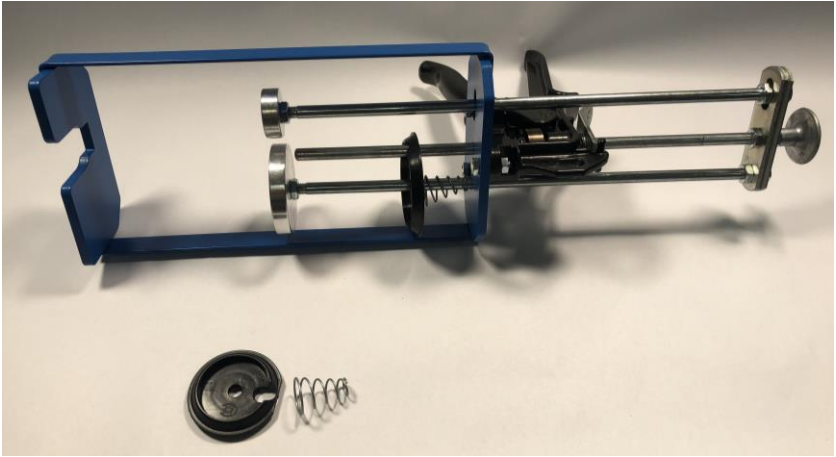
Now fit the Hardener plunger and screw on to align with the working face of the resin plunger. Once aligned lock the nut against the back of the plunger.



*Figure 15*

The policy of Gurit is one of continual development and improvement. Gurit reserves the right to alter specifications and prices without prior notice. Any information or advice obtained from Gurit by other means and whether relating to Gurit material or other materials, is given in good faith. However, it remains the responsibility of the customer to ensure that Gurit materials are suitable for the particular purpose intended.





*Figure 16*

You gun should now be ready to use for Spabond 440 800ml cartridges. For cartridge fitting guide see end of these instructions.

The policy of Gurit is one of continual development and improvement. Gurit reserves the right to alter specifications and prices without prior notice. Any information or advice obtained from Gurit by other means and whether relating to Gurit material or other materials, is given in good faith. However, it remains the responsibility of the customer to ensure that Gurit materials are suitable for the particular purpose intended.

## 800ml and 900ml Cartridge Fitting into the Manual Dispensing Gun.

It has been noticed that failure of either the 800ml or 900ml cartridge can occur if not fitted correctly into the manual dispenser. It has been noticed that the top of the cartridge, where the two cylinders connect, can drop behind the front face plate of the gun. As shown in Figures 17-18.



*Figure 17 Potential cartridge failure in this position*



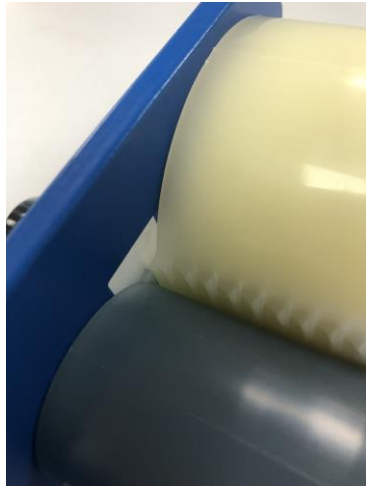
*Figure 18 Failed cartridge*

If the cartridge is attempted to be dispensed in this position the cartridge will fail allowing adhesive out before getting to the mixer nozzle. These notes show what to look out for.

The figure 19-20, below show a correctly fitted cartridge. With the central top section located within the rectangular cut out in the front face plate and the top flat surface of each cylinder located against the front face plate.



*Figure 19 Correct cartridge positioning*



*Figure 20 Correct cartridge positioning*

Firstly, the suggested method is to remove the black cap and rubber bung from the cartridge and fit the mixer nozzle to the cartridge before placing within the dispenser frame. The reason being that the distance between the top surface of the cylinders and the bottom of the nozzle is less than the supplied nut. In this configuration it is not possible for the cartridge to drop too low as the gap for the front frame is 3mm smaller not allowing the cartridge to drop too low. Figure 21-24 show this.

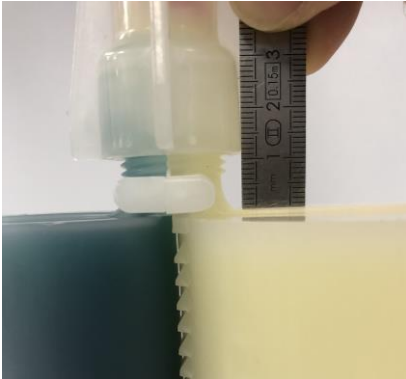


*Figure 21 14mm nut gap*



*Figure 22 Potential for cartridge to drop too low.*

The policy of Gurit is one of continual development and improvement. Gurit reserves the right to alter specifications and prices without prior notice. Any information or advice obtained from Gurit by other means and whether relating to Gurit material or other materials, is given in good faith. However, it remains the responsibility of the customer to ensure that Gurit materials are suitable for the particular purpose intended.

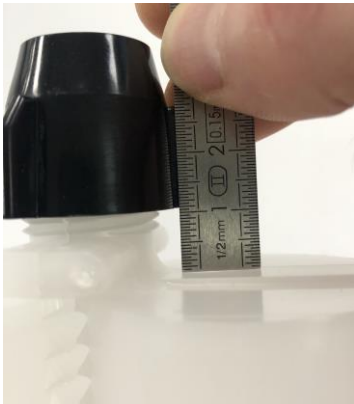


*Figure 23 11mm nozzle gap*

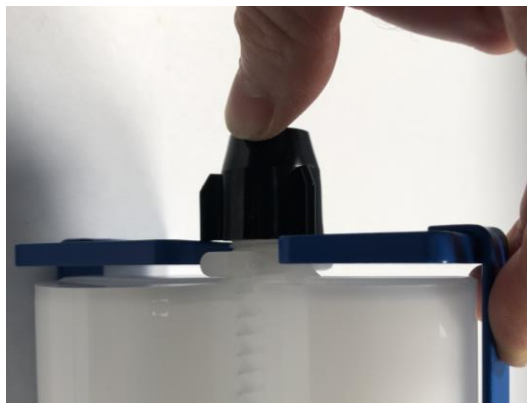


*Figure 24 Gap too small to drop low*

If the operator's preference is to not use a mixer nozzle it is recommended to remove the black cap along with the plastic shim and rubber bung. And then replace the black cap fully tight. This way the cartridges can't come apart also the gap for the front frame is reduced to prevent the cartridge from dropping too low in the frame. Shown in figures 25-26.



*Figure 25 Nut only fitted*



*Figure 26 Gap too small to drop low*